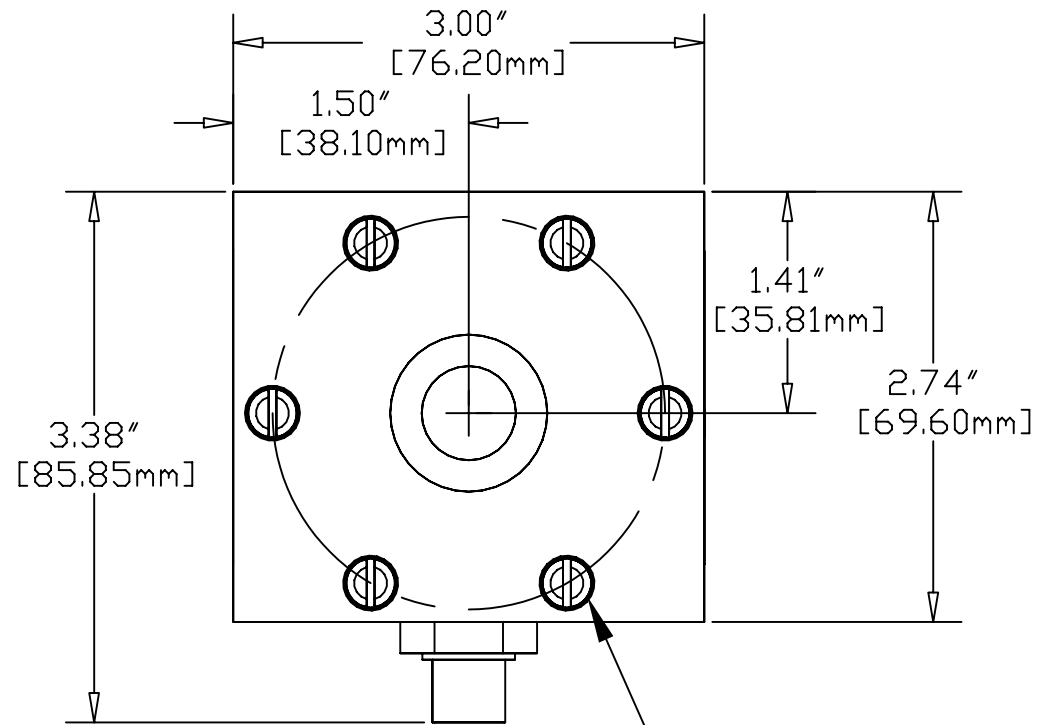
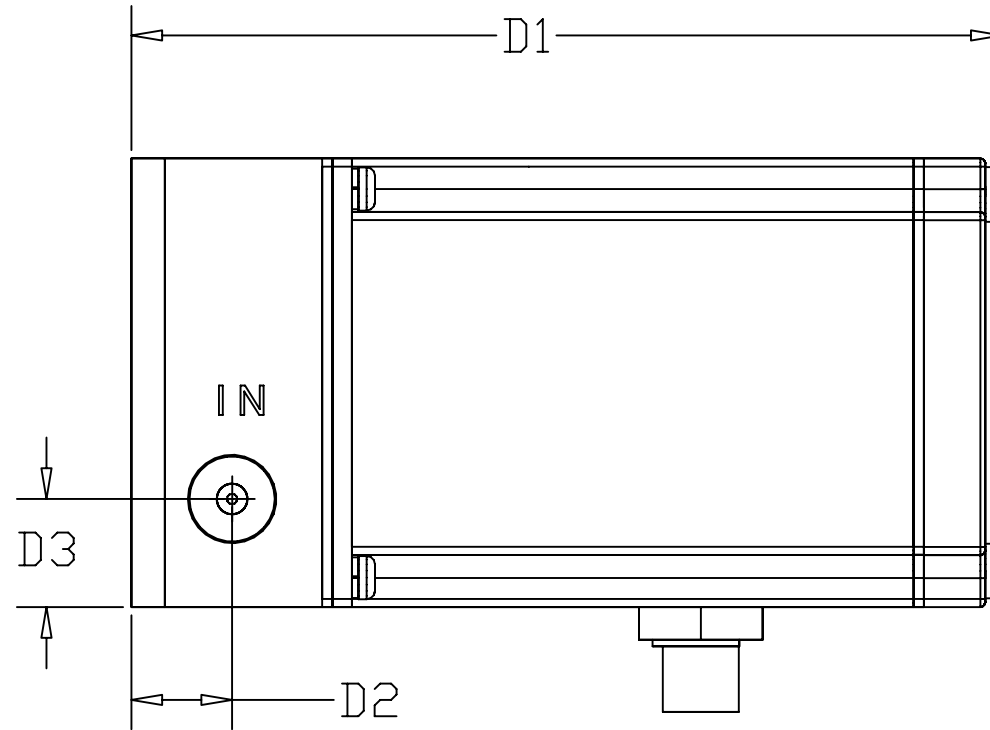


FRONT

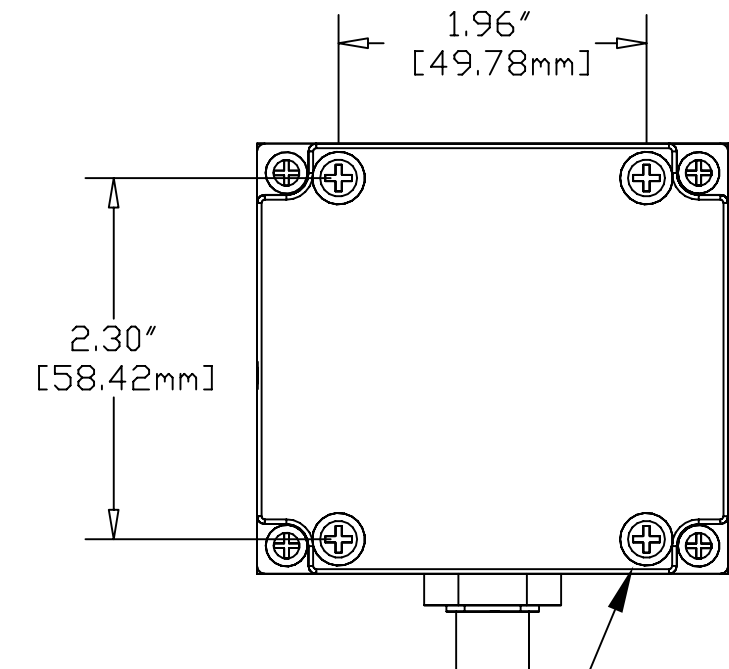


6X#8-32X3/8" SCREW
EQ. SPACED ON
A 2.50" DIA B.C.

SIDE



BACK



4X#8-32X3/4" SCREW

MODEL	D1	D2	D3
04004BN06	5.31"	0.62"	0.66"
04004BN2	(134.87mm)	(15.74mm)	(16.76mm)
04004BN4			
04004PN13			
04004PN08			
04004PN2			
04004PN4			
04004SN06			
04004SN2			
04004SN4			
04006BN9			
04006SA2			
04006SA4			
04006SN9			
04006PN10	5.31"	0.63"	0.66"
	(134.87mm)	(16mm)	(16.76mm)

MODEL	D1	D2	D3
04008BN14	5.41"	0.69"	0.66"
04008SA10	(137.41mm)	(17.52mm)	(16.76mm)
04008SN14			
04008PN15	5.7"	0.89"	0.66"
	(144.78mm)	(22.60mm)	(16.76mm)
04012BN16	5.7"	0.81"	0.66"
04012BN40	(144.78mm)	(20.57mm)	(16.76mm)
04012SN16			
04012SN40			
04012PN19	5.7"	0.88"	0.66"
04012SA16	(144.78mm)	(22.35mm)	(16.76mm)

NOTICE

THIS DOCUMENT IS THE PROPERTY OF PROTEUS INDUSTRIES INC. AND IS LOANED SUBJECT TO THE CONDITION THAT IT SHALL NOT BE REPRODUCED, COPIED OR LOANED OR SUBMITTED TO OTHER PARTIES WITHOUT OUR CONSENT.



Proteus Industries Inc.
Mountain View, CA