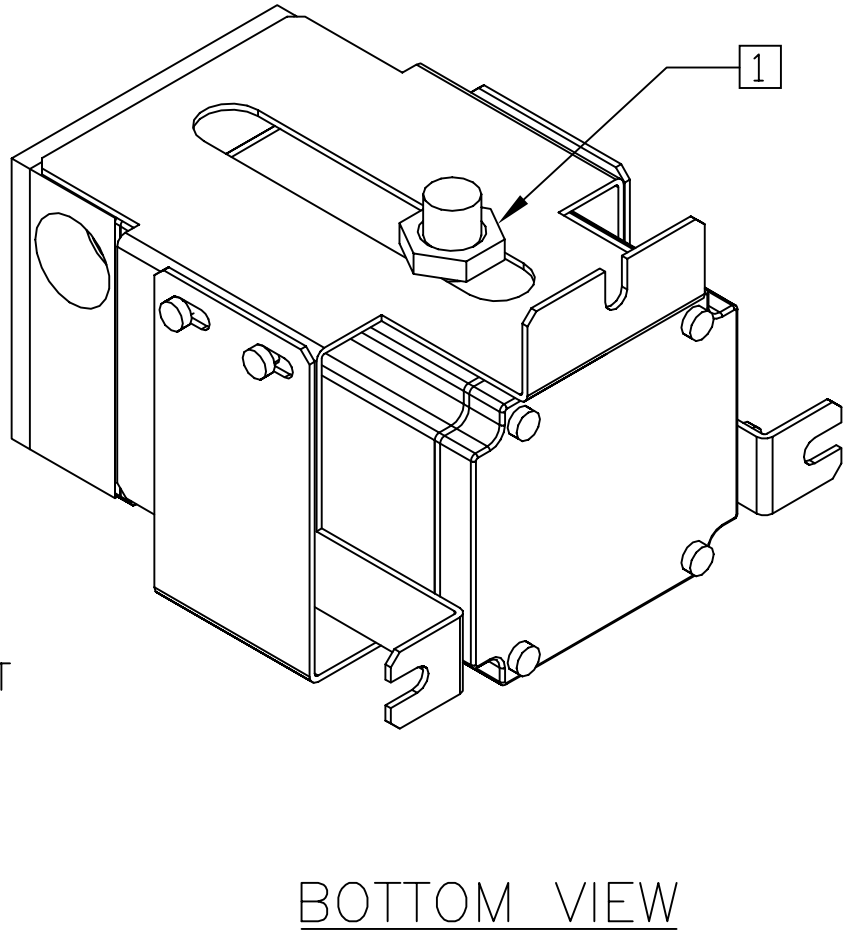
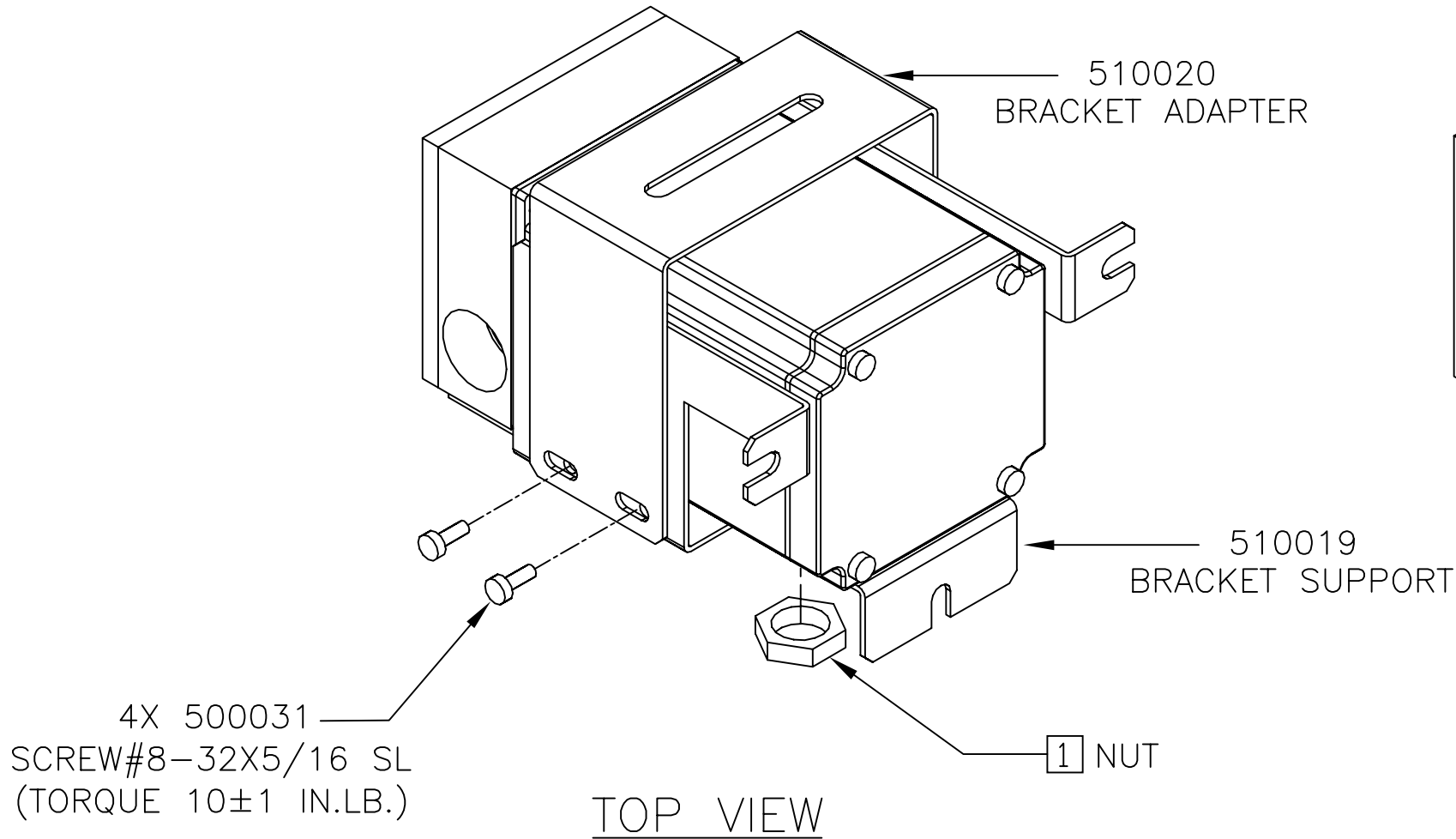


NOTES (Unless otherwise specified)

1. SECURE BRACKET TO UNIT USING THE EXISTING NUT. TORQUE TO 14±1 IN.LB.

REVISIONS				
REV	ECO	DESCRIPTION	Date	APPROVED
A	A01942	RELEASED	11-15-04	T.YIU

REAR MOUNT



NOTICE
 THIS DOCUMENT IS THE PROPERTY OF PROTEUS INDUSTRIES INC. AND IS LOANED SUBJECT TO THE CONDITION THAT IT SHALL NOT BE REPRODUCED, COPIED OR LOANED OR SUBMITTED TO OTHER PARTIES WITHOUT OUR CONSENT.

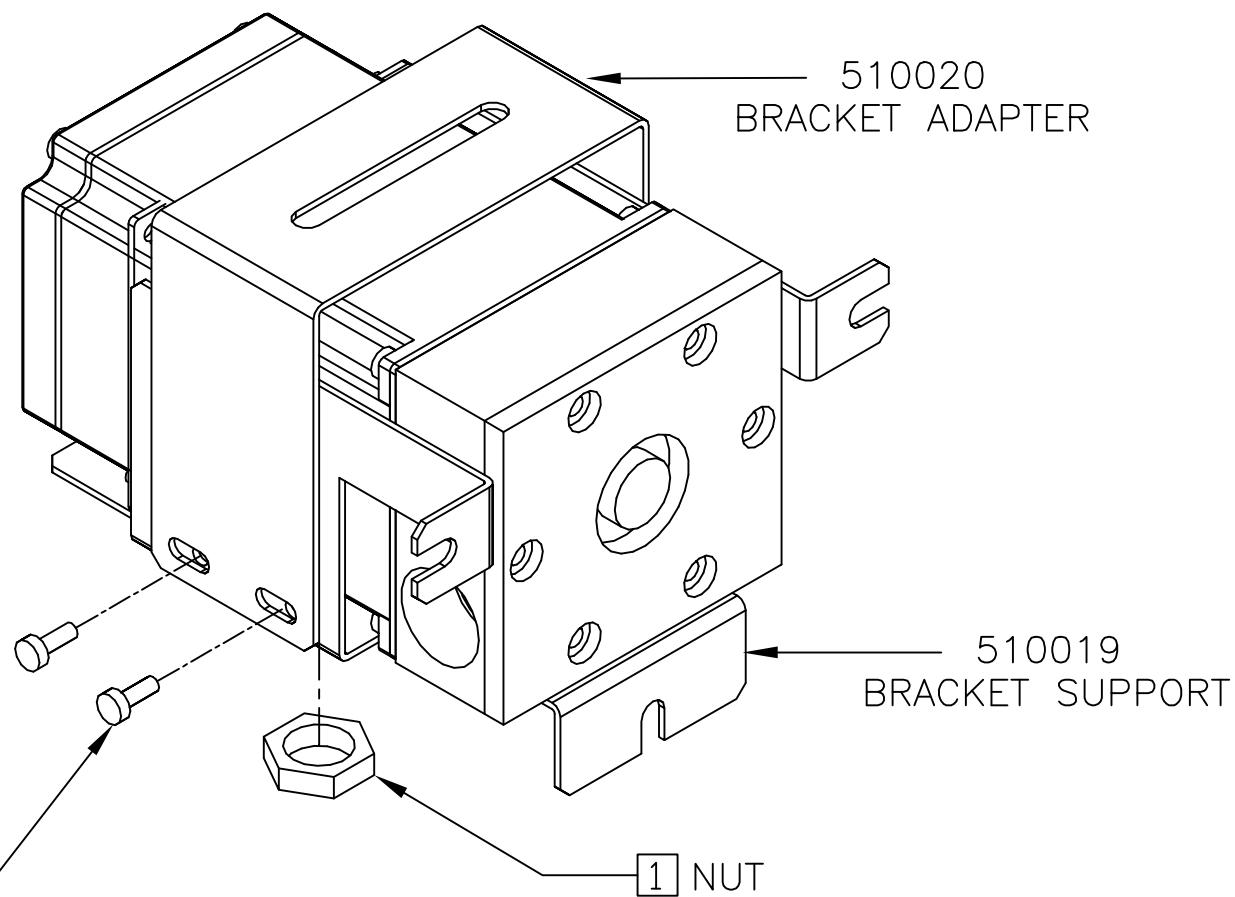
P Proteus Industries Inc.
 Mountain View, CA

OBH4000 ASSY

MAT'L: SEE BOM	SIZE B	FSCM NO.	DWG NO. D-0BH4000	REV A
FIN: NONE	Scale NONE	RENE T.11-15-04	Sheet 1 of 2	

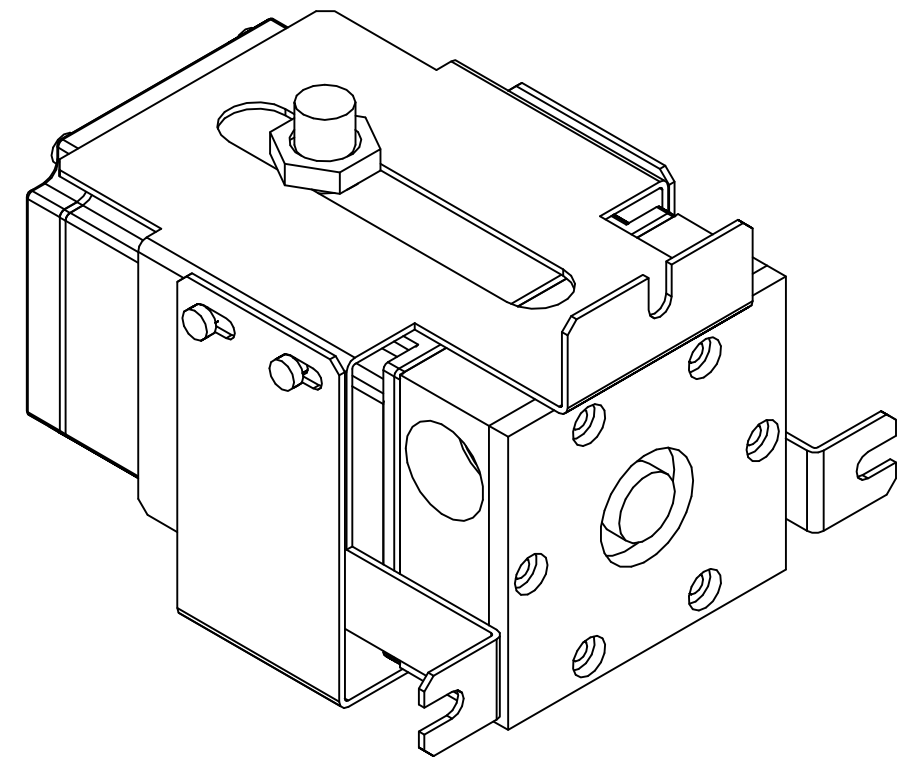
NOTES (Unless otherwise specified)

FRONT MOUNT



4X 500031
SCREW#8-32X5/16 SL
(TORQUE 10±1 IN.LB.)

TOP VIEW



BOTTOM VIEW

<p>NOTICE THIS DOCUMENT IS THE PROPERTY OF PROTEUS INDUSTRIES INC. AND IS LOANED SUBJECT TO THE CONDITION THAT IT SHALL NOT BE REPRODUCED, COPIED OR LOANED OR SUBMITTED TO OTHER PARTIES WITHOUT OUR CONSENT.</p>	<p>P Proteus Industries Inc. Mountain View, CA</p>		
	<p>OBH4000 ASSY</p>		
<p>MAT'L: SEE BOM</p>	<p>SIZE B</p>	<p>FSCM NO.</p>	<p>DWG NO. D-OBH4000</p>
<p>FIN: NONE</p>	<p>Scale NONE</p>	<p>RENE T.11-15-04</p>	<p>REV A</p>
		<p>Sheet 2 of 2</p>	